

SCC STANDARD DETAIL 1000/09
TYPICAL FOOTWAY

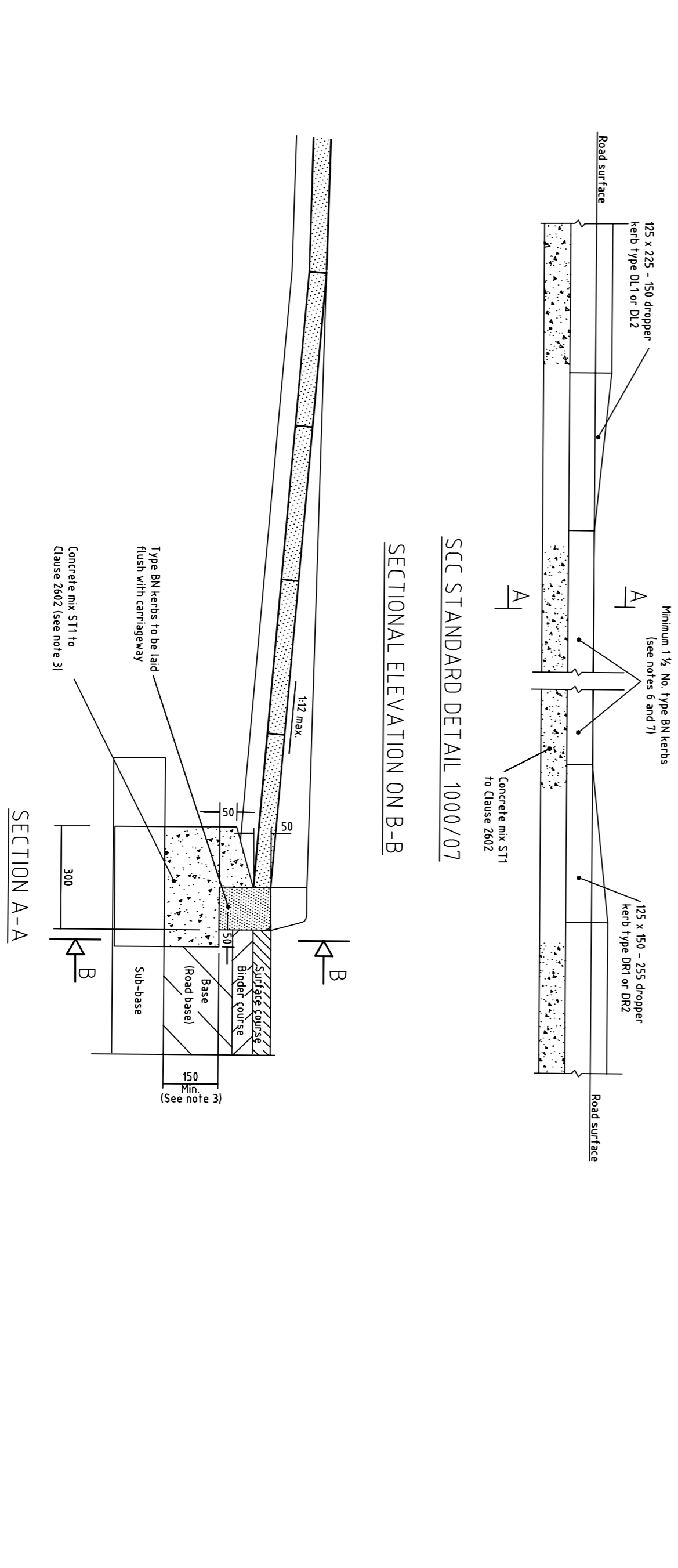


NOTES

- Full Depth Footway Construction (on verge)
- Existing 75mm deep construction new and apply new 20mm thick concrete on top of existing concrete to BS EN 12350-1 and BS PD 9691 Annex B. Void content: 8% max, 2% min. Minimum AC 20 dense binder with 20mm aggregate to BS 5896/7. Sub-base: 100mm of Type 1 undrained material to Class 803.
- Reconstruct Existing Footway
- Install new dropped kerbs
- Install new PCC edging
- Install tactile paving & Dropped Kerbs to SCC Standard detail 1000/02 & 07

Rev.	Description	Dr-wn	Sig.	Date	Chkd	Sig.	Date	Appr	Sig.	Date

Rev.	Description	Dr-wn	Sig.	Date	Chkd	Sig.	Date	Appr	Sig.	Date



Scale: N15 @ A1

North Point

Based upon the Ordnance Survey mapping with permission of the Controller of Her Majesty's Stationery Office. Reproduction in any form without the permission of the Controller of Her Majesty's Stationery Office is prohibited.

Drawn by	Sig.	Date	Checked by	Sig.	Date	Approved by	Sig.	Date
NK		01/03/16	JD		01/03/16	JD		01/03/16

Upper Halliford Road
Lower Sunbury New and Improved ped facilities
Design Proposal

Project No. P/0610
Contract Sheet
Drawing No. P/0610_01
Rev. -
Classification DESIGN

SHEET 1 OF 5

SURREY COUNTY COUNCIL
Surrey Council
Surrey County Council

This page is intentionally left blank